



OUTDOOR BOTTLE FILLERS

GY Series

MODEL GYM74 PEDESTAL MOUNTED BOTTLE FILLER WITH DRINKING FOUNTAIN

STANDARD FEATURES

- Adult ADA compliant for wheelchair users
- Pushbutton and hands free sensor operated Bottle filler
- Battery pack 6-AA
- Laminar flow water supply to bottle filler
- Resistant to sunlight, heat, moisture and wear
- 18 Gage, 304 stainless steel drinking Fountain bowls
- 12 Gage, heavy duty stainless steel construction with corrosion and scratch resistant finish
- Stainless steel, anti-rotation non-squirt bubbler
- Lead and cyst filter (Not available with FRU option)
- 100 mesh inlet strainer
- Access cover, heavy duty stainless steel, vandal resistant

SUGGESTED SPECIFICATIONS

Pedestal bottle filler with drinking fountain shall be Murdock model GYM74. Construction shall be 12 gage, all stainless steel with 18 gage stainless steel fountain bowl. Pedestal base shall have four mounting holes. Access covers shall be secured with vandal-resistant stainless steel screws. Bottle filler shall be activated by a 9 volt sensor or a pushbutton as standard. Unit shall contain a 100 mesh inlet strainer, lead and cyst filter, 6-AA battery pack and laminar flow spout. Self-closing pushbutton, needing less than 5 pounds force, shall activate internally mounted valve with adjustable stream regulator. Bubbler shall be stainless steel with non-squirt feature and operate on water pressure range of 20-105 psig. Fountain is certified to ANSI A117.1, Public Law 111-380 (NO-LEAD), CHSC 116875 and NSF/ANSI 61, Section 9. Fixture meets ADA requirements when mounted appropriately.



Model GYM75-PF Shown

MODEL: (Must Specify)

- GYM74 Satin Stainless Finish
- GYM75 Green Powder-Coated (Shown)
- GYM76 Red Powder-Coated
- GYM77 Blue Powder-Coated

OPTIONAL ACCESSORIES

(additional costs may be incurred)

- CH30 Child height, 30" bubbler height
- CV Cartridge valve on fountain (Not available with freeze-resistant valve)
- FRU2 Underground freeze-resistant, 2 valves¹ (Less filter and sensor)
- FRU3 Underground freeze-resistant, 3 valves¹ (Less filter and sensor)
- IAP In-ground anchor plate
- LOGO Customer specified logo
- MO Bottle filler operated by pushbutton only (Standard with freeze-resistant valves)
- PF Pet fountain¹

Option Notes:

¹See separate option sheet



Please visit www.murdockmfg.com for most current specifications.

Complies with the following standards:



MURDOCK MFG. • 15125 Proctor Avenue • City of Industry, CA 91746 USA
Phone 800-453-7465 or 626-333-2543 • Fax 626-855-4860 • www.murdockmfg.com

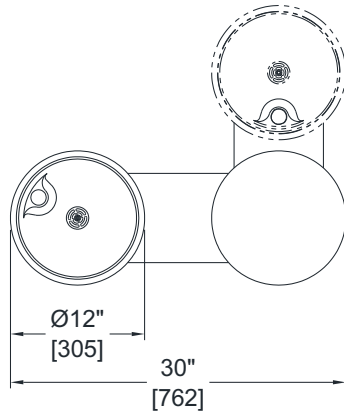
Member of MORRIS GROUP INTERNATIONAL



OUTDOOR BOTTLE FILLERS

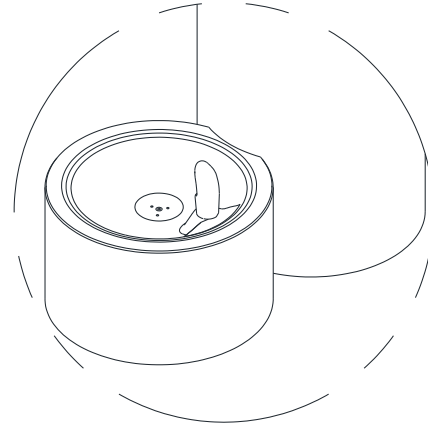
GY Series

MODEL GYM74 PEDESTAL MOUNTED BOTTLE FILLER WITH DRINKING FOUNTAIN

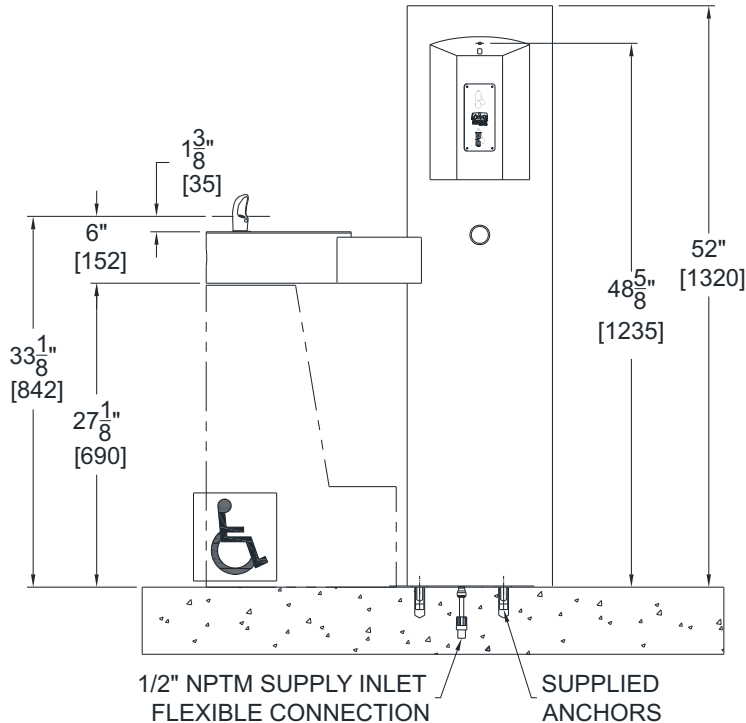


GENERAL NOTES:

1. ALL DIMENSIONS ARE IN INCHES [MM]
2. STOP VALVE NOT PROVIDED



**OPTIONAL -PF
PET FOUNTAIN
DETAIL**



* Valve specifications:
Minimum/Maximum Pressure
30 to 100 psi.

Murdock Mfg.™ warrants that its products are free from defects in material or workmanship under normal use and service for a period of one year from date of shipment. Murdock's liability under this warranty shall be discharged solely by replacement or repair of defective material, provided Murdock™ is notified in writing within one year from date of shipment, F.O.B. Industry, California.

SELECTION SUMMARY & APPROVAL FOR MANUFACTURING	Model Number & Options _____	Quantity _____	<p>All dimensions are subject to manufactures tolerance of plus or minus 1/2" nominal and subject to change without notice. Murdock assumes no responsibility for use of void or superseded data. Dimensions may change with the addition of optional accessories. Murdock Mfg.™, Member of Morris Group International™. Please visit www.murdockmfg.com for most current specifications.</p>
	Company _____		
	Contact _____	Title _____	
	Signature (Approval for Manufacturing) _____	Date _____	

MURDOCK MFG. • 15125 Proctor Avenue • City of Industry, CA 91746 USA
Phone 800-453-7465 or 626-333-2543 • Fax 626-855-4860 • www.murdockmfg.com

